

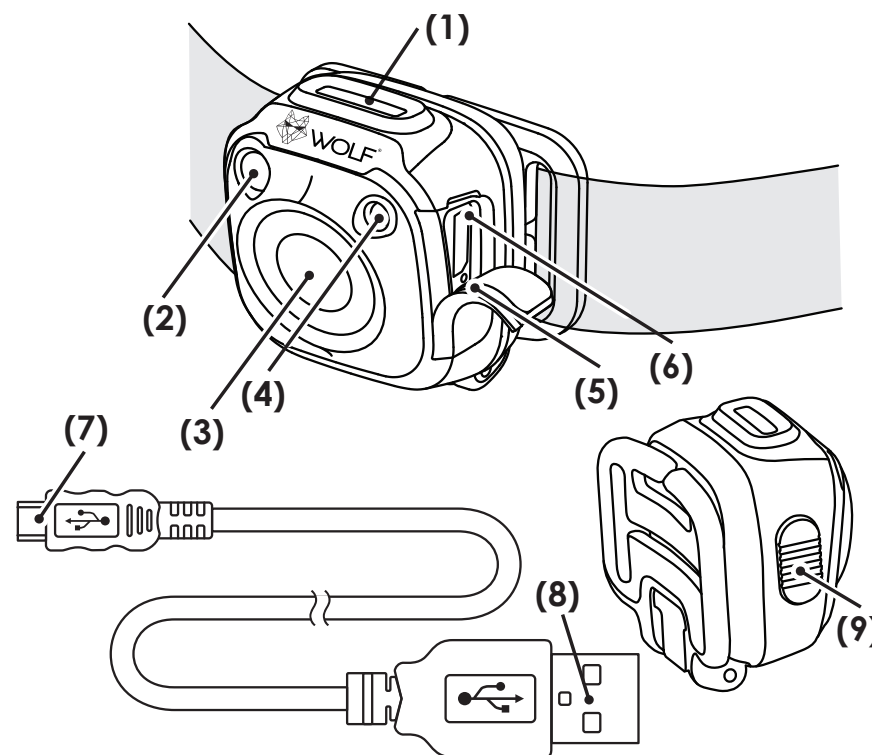
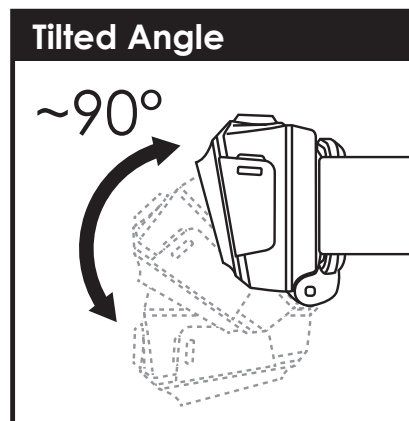
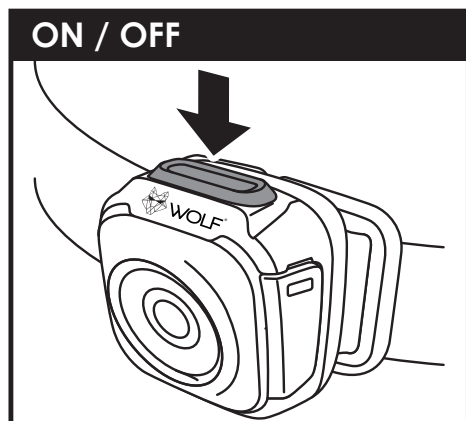
CUBE 200 POWERBEAM

RECHARGEABLE HEADLIGHT SMART SENSOR INSTRUCTION MANUAL

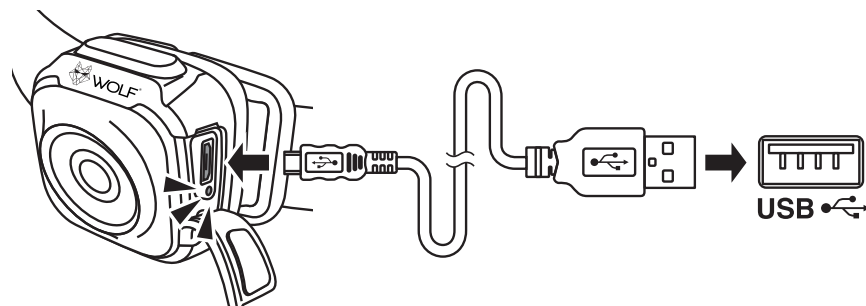
- Powerful 200 Lumen
- 52g only compact design
- Zero Dazzle - with Wolf Zero-Dazzle feature, the sensor will dim your head torch when facing each other and deactivate back to full power when you turn away. Never blind or dazzle again.
- Hand Free Sensor Switch ON/OFF headlight without removing your glove
- USB Rechargeable Battery
- Built-in 700 mAh
- USB Cable included
- High / Med / Low modes

KEY DESCRIPTION

- | | |
|-----------------------------------|-----------------------------------|
| (1) ON/OFF Button | (6) Micro USB Plug-in (Headlight) |
| (2) Sensor | (7) Micro USB Plug-in (Cable) |
| (3) White LED | (8) USB for battery source |
| (4) Sensor | (9) Sensor Button |
| (5) Light showing charging status | |



How to Recharge Battery



Inspect headlight for proper operation prior to using. Plug in the USB cable with battery source. The light will indicate charging status as follows:
Red Light : Charging / **Green Light** : Fully Charged



CHARGING STATUS



4 MODES



WATER RESISTANT

HIGH
200
Lumen

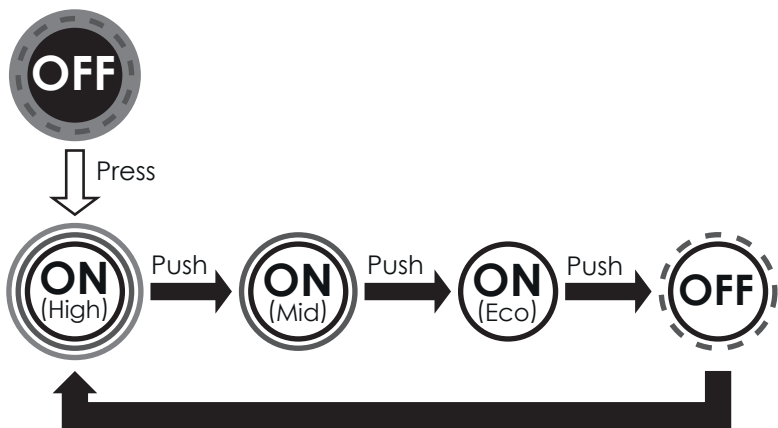
LOW
30
Hour

⚡
USB
Recharge

How to Operate

ON / OFF and Select Modes

1. Press the main switch to turn ON. Press again to toggle between different brightness output and OFF.
2. To adjust brightness out of set parameters, press main switch for 2 seconds. A small flash will indicate when highest / lowest is reached.

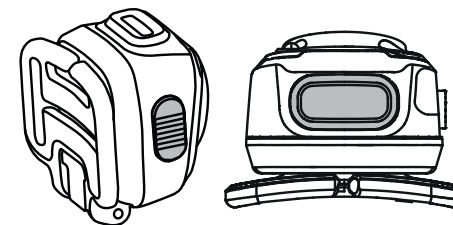


Press and hold for 2 seconds. Small flash will show the brightness has reached its maximum or minimum output.



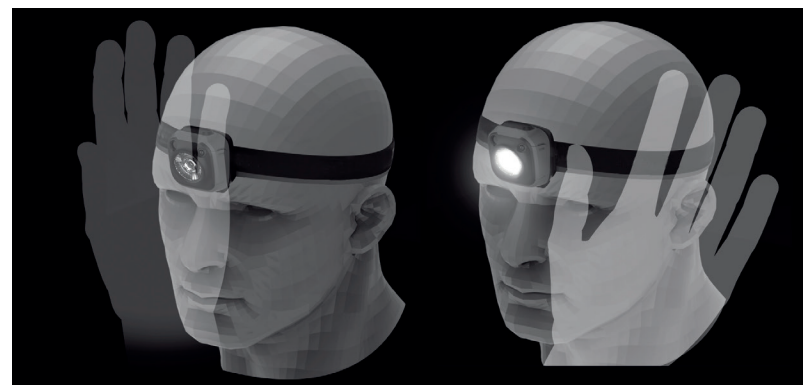
Sensor Key for Motion Detect and Zero Dazzle

1. Sensor key is OFF by default. Press and hold the sensor key for 1 sec. to activate. The main light will flicker twice, and the main button will turn RED as indication.
2. Press and hold the sensor key to deactivate this function.
3. Zero Dazzle and Hand Free ON/OFF function can be used when sensor key is ON.



Motion Detect

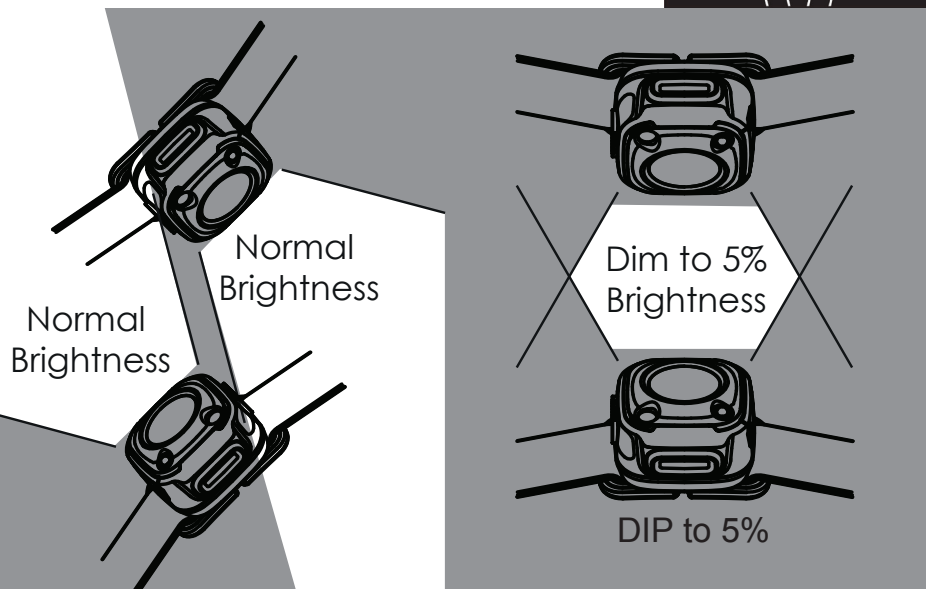
Turn OFF light by waving hand across the sensor. Do the same to turn ON the light if motion sensor is activated.



Zero Dazzle

With Wolf Zero Dazzle feature, the sensor will automatically dim the headlight when facing each other and return to full power when turned away. Excellent for team work in the dark.

ZERO DAZZLE



Warning:

- + A responsible adult must supervise use by children under the age of 12.
- + To reduce the risk of strangulation, do not place the headlight straps around the neck.
- + Inspect the headlight for proper operation prior to using and fully charged before use.
- + Do not stare directly into the beam or shine it directly into others' eyes. Intense light can damage your eyes or the eyes of those around. Wolf will not be responsible for any consequences, whether direct, indirect or from the use of this product. The user is responsible for the actions and activities and for any consequences that may result from use of this product.